

DIAMOND WHITE:

**Pulse Start 5K Lighting with
the Brilliant Color of Sunlight**



ENHANCED PERFORMANCE



**SEE THINGS IN A WHOLE
NEW LIGHT!**



1-800-705-1446

Now you can experience the natural beauty of sunlight at night with the Diamond White line of pulse start and metal halide 5200K lamps from QSSI. Our 5K lamps will make colors appear crisper, objects sharper, and everything brighter like natural daylight.

BRIGHTER LIGHT

The color temperature of a lamp is the indication of the whiteness of the light source, from a warm 2700K (yellow) such as an incandescent lamp, to 5000K (white) or the color of sunlight, to 6500K (blue) which is the average outdoor sky color. During periods of high light levels our eyes detect light using the cones. This response is referred to as photopic, and is the traditional measurement of a lamp's lumen output. At night or during low light levels, the rods in our eyes are more active and respond to higher color temperatures. The measurement of this output is referred to as scotopic lumens. In low light levels (scotopic visual conditions), our eyes' response to blue lightwaves increases dramatically, while the response to red and yellow lightwaves is decreased. When the color temperature of the light source is higher, we perceive the light as brighter. Standard metal halide lamps have a CCT of 4000K and so do not look as bright to us as the 5000K lamps.



CRISPER COLORS

The Color Rendering Index (CRI) is a numerical indication of the ability of the lamp to render colors accurately. It is a comparison of the lamp's spectral distribution of the various wavelengths to those in light produced by the daytime sky at the same color temperature. Typical metal halide lamps have a CRI of 65-75, while high pressure sodium has a CRI of 25. Our Diamond White Pulse Start Lamps have a CRI of 85 or better, which helps render colors more accurately at night, so that red car on the dealer's lot really looks red, not brown as it would under a lower CRI light source. CRI plays a vital role in illumination of all types of merchandise, from cars on a dealer's lot to meat and produce in a grocery store.

SHARPER VISION

The scotopic component of lumen output helps us see better at night due to our eyes' reaction to blue lightwaves. This results in objects appearing clearer and easier to see.

WHY USE DIAMOND WHITE 5K LAMPS?

- Outdoor areas and indoor workspaces look brighter and more pleasing. This creates an environment that feels more inviting and secure.
- Brighter, high quality white light increases security and can help reduce the risk of crime and vandalism.
- Vision is improved resulting in easier viewing of surroundings, merchandise and workspaces.
- Brighter, crisper colors make shopping experiences and outdoor spaces more pleasurable.

APPLICATIONS

Diamond White Pulse Start Lamps can be used in any application or lighting fixture where standard metal halide or pulse start metal halide is used. The lamps are available in the same wattages and lamp sizes, and work on magnetic ballasts and electronic drivers.

- **Car Dealerships:** Enhanced color rendering and bright light invite customers onto the lot and provide a pleasurable shopping experience.
- **Retail Lighting and Grocery Stores:** Crisper colors and sharper vision make merchandise and produce more visually appealing.
- **Parking Garages:** Brighter light aids drivers and helps reduce vandalism.
- **Roadway and Parking Lot Lighting:** Brighter light and improved vision for safer maneuvering and enhanced security.
- **Indoor Open Spaces:** Use in mall common areas and big box retail stores for improved visual comfort and sharper, more appealing displays.
- **Warehouses:** Brighter light provides increased visibility and aids in product identification and bar code scanning.
- **Sports Lighting:** Brighter light and sharper vision makes it easier to play and watch the game, and aids television broadcasts.

Call:

1-800-705-1446

LED Options also available



Pulse Start Metal Halide

| Model # | Wattage (W) | Lumens (lm) | Correlated Color Temperature (CCT) | Color Rendering Index (CRI) | Base Type | Bulb Designation | Bulb Finish | Maximum Overall Length (MOL) | Light Center Length (LCL) |
|----------------|-------------|-------------|------------------------------------|-----------------------------|-----------|------------------|-------------|------------------------------|---------------------------|
| 2P70U5KHC | 70 | 5,600 | 5200K | 85+ | E26 | ED17 | Clear | 5.4"/138mm | 3.4"/86mm |
| 2P100U5KHC | 100 | 8,500 | 5200K | 85+ | E26 | ED17 | Clear | 5.4"/138mm | 3.4"/86mm |
| 2P150U5KHC | 150 | 13,000 | 5200K | 85+ | E26 | ED17 | Clear | 5.4"/138mm | 3.4"/86mm |
| 2P175U5KHC | 175 | 14,500 | 5200K | 85+ | E26 | ED17 | Clear | 5.4"/138mm | 3.4"/86mm |
| 2P200BU5KVC | 200 | 13,300 | 5000K | 90+ | EX39 | ED28 | Clear | 8.3"/211mm | 5"/127mm |
| 2P250U5KHC | 250 | 20,000 | 5200K | 85+ | E39 | ED28 | Clear | 8.3"/211mm | 5"/127mm |
| 2P320U5KHC | 320 | 29,000 | 5200K | 85+ | E39 | ED37 | Clear | 11.5"/292mm | 7"/178mm |
| 2P400U5KHC | 400 | 33,000 | 5200K | 85+ | E39 | ED37 | Clear | 11.5"/292mm | 7"/178mm |
| 2P575HOR5KVC | 575 | 45,000 | 5000K | 90+ | E39 | BT37 | Clear | 11.5"/292mm | 7"/178mm |
| 2P575BU5KVC | 575 | 45,000 | 5000K | 90+ | EX39 | BT37 | Clear | 11.5"/292mm | 7"/178mm |
| 2P750BT37U5KHC | 750 | 65,000 | 5200K | 85+ | E39 | BT37 | Clear | 11.5"/292mm | 7"/178mm |

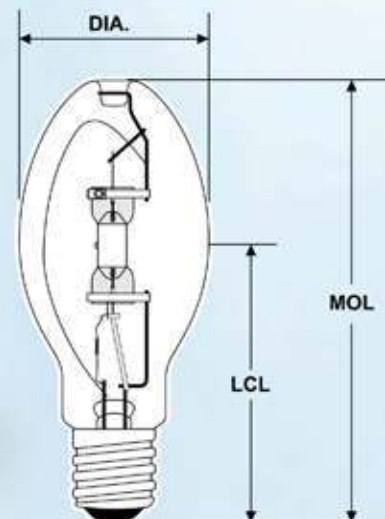
Probe Start Metal Halide

| Model # | Wattage (W) | Lumens (lm) | Correlated Color Temperature (CCT) | Color Rendering Index (CRI) | Base Type | Bulb Designation | Bulb Finish | Maximum Overall Length (MOL) | Light Center Length (LCL) |
|-----------------|-------------|-------------|------------------------------------|-----------------------------|-----------|------------------|-------------|------------------------------|---------------------------|
| 2M175U5KHC | 175 | 15,500 | 5200K | 75 | E26 | ED17 | Clear | 5.4"/138mm | 3.4"/86mm |
| 2M250U5KHC | 250 | 23,000 | 5200K | 75 | E39 | ED28 | Clear | 8.3"/211mm | 5"/127mm |
| 2M400U5KHC | 400 | 31,000 | 5200K | 80 | E39 | ED37 | Clear | 11.5"/292mm | 7"/178mm |
| 2M400BT28U5KHC | 400 | 31,000 | 5200K | 80 | E39 | BT28 | Clear | 8.3"/211mm | 5"/127mm |
| 2M1000BT37U5KHC | 1000 | 110,000 | 5000K | 70 | E39 | BT37 | Clear | 11.5"/292mm | 7"/178mm |
| 2M1000U5KHC | 1000 | 105,000 | 5000K | 75 | E39 | BT56 | Clear | 15.4"/391mm | 9.5"/241mm |

Minimum Operating Temperature: -30°C



DIMENSIONS



DIAMOND WHITE

| Bulb Diameter (DIA.) | Operating Position | Luminaire Type | Lamp Voltage (V) | Lamp Current (A) | Min/Max Starting Current (A) | Max. Base Temperature (°C) | Max. Lamp Temperature (°C) | Typical Warm-up Time (Minutes) | Typical Restrike Time (Minutes) | Rated Hours |
|----------------------|--------------------|---------------------|------------------|------------------|------------------------------|----------------------------|----------------------------|--------------------------------|---------------------------------|-------------|
| 2.2"/55mm | Universal | Enclosed Rated | 85 | 0.9 | 0.9-1.5 | 190°C | 400°C | 3 | 5 | 20,000 |
| 2.2"/55mm | Universal | Enclosed Rated | 100 | 1.1 | 1.1-1.5 | 190°C | 400°C | 3 | 5 | 20,000 |
| 2.2"/55mm | Universal | Enclosed Rated | 95 | 1.8 | 1.8-3.0 | 190°C | 400°C | 3 | 5 | 20,000 |
| 2.2"/55mm | Universal | Enclosed Rated | 132 | 1.5 | 1.5-2.5 | 210°C | 400°C | 3 | 5 | 20,000 |
| 3.5"/90mm | BU ±15° | Open/Enclosed Rated | 132 | 1.65 | 1.64-2.4 | 210°C | 400°C | 3 | 5 | 20,000 |
| 3.5"/90mm | Universal | Enclosed Rated | 133 | 2.1 | 2.1-3.2 | 210°C | 400°C | 5 | 10 | 20,000 |
| 4.7"/120mm | Universal | Enclosed Rated | 135 | 2.63 | 2.63-4.0 | 210°C | 400°C | 5 | 10 | 26,000 |
| 4.7"/120mm | Universal | Enclosed Rated | 135 | 3.25 | 3.2-5.0 | 210°C | 400°C | 5 | 10 | 30,000 |
| 4.7"/120mm | Hor ±75° | Enclosed Rated | 135 | 4.6 | 4.6-7.0 | 230°C | 450°C | 3 | 5 | 20,000 |
| 4.7"/120mm | BU ±15° | Open/Enclosed Rated | 135 | 4.6 | 4.6-7.0 | 230°C | 450°C | 3 | 5 | 26,000 |
| 4.7"/120mm | Universal | Enclosed Rated | 200 | 4 | 4.0-7.0 | 210°C | 430°C | 5 | 10 | 26,000 |

| Bulb Diameter (DIA.) | Operating Position | Luminaire Type | Lamp Voltage (V) | Lamp Current (A) | Min/Max Starting Current (A) | Max. Base Temperature (°C) | Max. Lamp Temperature (°C) | Typical Warm-up Time (Minutes) | Typical Restrike Time (Minutes) | Rated Hours |
|----------------------|--------------------|----------------|------------------|------------------|------------------------------|----------------------------|----------------------------|--------------------------------|---------------------------------|-------------|
| 2.2"/55mm | Universal | Enclosed Rated | 132 | 1.5 | 1.5-2.5 | 210°C | 400°C | 3 | 5 | 10,000 |
| 3.5"/90mm | Universal | Enclosed Rated | 133 | 2.1 | 2.1-3.5 | 210°C | 400°C | 5 | 15 | 10,000 |
| 4.7"/120mm | Universal | Enclosed Rated | 135 | 3.25 | 3.2-5.0 | 210°C | 400°C | 5 | 15 | 15,000 |
| 3.5"/90mm | Universal | Enclosed Rated | 135 | 3.25 | 3.2-5.0 | 210°C | 400°C | 5 | 10 | 15,000 |
| 4.7"/120mm | Universal | Enclosed Rated | 263 | 4.1 | 4.2-7.5 | 210°C | 430°C | 5 | 15 | 12,000 |
| 7.1"/180mm | Universal | Enclosed Rated | 263 | 4.1 | 4.2-7.5 | 210°C | 430°C | 5 | 10 | 9,000 |

WARNING: This lamp can cause skin burn and eye inflammation from shortwave ultraviolet radiation if outer envelope of the lamp is broken or punctured. **DO NOT OPERATE LAMP** if the outer bulb is cracked or broken. If this occurs, switch the supply off immediately and when the lamp has cooled sufficiently, using suitable protective clothing, remove the lamp from the fixture.

