

Area Light Series

Colonnade Pole Top Fitter Large



PFCN50E

Housing:

Sand cast aluminum hinged housing, stamped steel plate, ballast, capacitor, and ignitor brackets, set screws, powdercoat finish over a chromate conversion coating

Reflector:

None

Lens:

Uses 200mm globes (not supplied).

Lampholder:

Porcelain 4KV pulse rated medium or 5KV pulse rated E40 lampholder with nickel-plated screw shell

Mounting:

Accommodates 75mm poles

Wattage:

High Pressure Sodium: 150 to 250w
Metal Halide: 150 to 250w
Metal Mercury: 250w

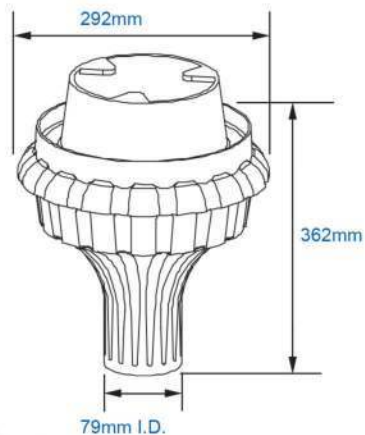
Listing & Ratings:

CE: Listed for wet locations
IP54

Kits				
Catalog #	Description			
PFCN50E2*	Deluxe Colonnade Pole Top Fitter, E27 Lampholder			
PFCN50E4*	Deluxe Colonnade Pole Top Fitter, E40 Lampholder			
Complete Units (Lamps Not Included)				
Catalog #	Wattage	Voltage	Lamp	Ballast
PFCN50E4MH150M*	150	220/240	MH/HPS	Magnetic
PFCN50E4H250M*	250	220/240	HPS	Magnetic
PFCN50E4M250M*	250	220/240	MH	Magnetic
PFCN50E4HI250M*	250	220/240	HI	Magnetic



Also Available in Induction.



PFCN50E

DIMENSIONS

