



Catalog Number:	
Project:	
Comments:	
Prepared By:	Date:

Description

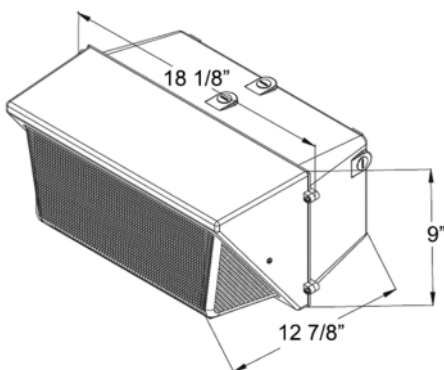
The LWP-FT-120 high output forward throw wall pack is ideal for distributing light in an outward direction. The LWP-FT-120 can replace up to a 400W HID one-for-one making it a perfect fixture for building facades, general security, storage areas, and entry door applications.

Performance Data

Model	Watts	Equip	Lumens	Efficacy
LWP-FT-120	123W	400W HID	12,177 Lm	99 LPW

Dimensions & Weights

Model	Width	Height	Depth	Weight
LWP-FT-120	18 1/8"	9"	12 7/8"	17.5 lbs.



Technical Specifications

Input Voltage: 120-277V or 347-480V

Housing: Die cast aluminum housing with hinged front frame and textured architectural bronze powder coat finish over a chromate conversion coating. 1/2" coin plugs with O-rings for conduit & photocell installation.

Lens: Molded prismatic borosilicate glass lens.

Mounting: Cast-in template for wall or junction box mounting. Mount directly over a 4" recessed outlet box, or use 1/2" surface conduit.

Effective Projected Area (EPA): 0.89 ft²

Color Temperature: 2700K WW, 4000K NW (standard), 5000K CW. All LED's are rated for a minimum of 100,000 hours of continuous operation at ambient temperatures from -40°F/-40°C to 95°F/35°C.

Color Rendering Index (CRI): Minimum of 70 or higher.

Dimming: 0-10V standard dimming capability.

Surge Protection: A 20kA surge suppressor is included and complies with IEEE/ANSI C62.41.2 guidelines for "C High." Surge location rated Category C3.

Lumecon ETD System: The enhanced thermal dissipation system engines are thermally bonded to provide maximum thermal dissipation to the exterior of the fixture to ensure long life. To protect the light engine panel from moisture and corrosion, the LED light engine panel is uniformly coated with a UV stabilized acrylic polymer resin that meets MIL and ASTM dielectric standards, UL, and IPC standards for flammability, moisture resistance and thermal shock.

Battery Back-Up (Optional): When triggered into emergency mode, the BBU operates the LEDs for a code-compliant 90 minutes. When AC power is restored, the driver automatically returns to charging mode. The BBU is a UL recognized component and meets all applicable safety standards.

Occupancy Sensor (Optional): Microwave sensor technology rated for -40°F to 130°F. Available in on/off and dim/high functionality.

Certification Data: ETL Listed to UL 1598, UL 8750 and CSA 22.2 No. 250 for Wet Locations. *Full compliance and test documentation is available for TM-21, LM-79, LM-80, ETL Listing to UL1598 and UL 8750, Lighting Facts and DLC. Not all versions of this product may be DLC qualified. For a complete list of Lumecon DLC Qualified Products visit: www.designlights.org.

Manufacturing Origin: US Manufactured and Assembled.

Buy American: Meets Buy American requirements within the ARRA.

Warranty: 10 Year L70 performance based warranty. For full warranty terms, please visit our website: www.lumecon.com



Ordering Information

LWP – FT – 120 Options / Ordering Example: LWP-FT-120-DB-1-NW-X-X-X-PC1-X-X

WATTAGE	COLOR	VOLTAGE	COLOR TEMPERATURE	GUARD	BATTERY BACK-UP
120 - 120 Watts	DB - Dark Bronze C - Custom	1 - 120v - 277v 2 - 347v - 480v	NW - Neutral CW - Cool WW - Warm	X - None F - Full Cutoff S - Side Cutoff P - Polycarbonate W - Wire	X - None BB1 -120v BBU BB2 -277v BBU BBC1 -120v BBU Cold Temp Rated* BBC2 -277v BBU Cold Temp Rated* <i>* Requires external box</i>

SPLIT CIRCUIT	PHOTOCELL	OCCUPANCY SENSOR	INLINE FUSE
X - None SC - Split Circuit	X - None PC1 - 120v PC PC2 - 277v PC PC3 - 347v PC PC4 - 480v PC	X - None OC1 - On/Off OC2 - Dim/High	X - None F - Inline Fuse, 2.5A

Options & Accessories



Full Cutoff, stamped steel in a textured bronze finish



Side Cutoff, stamped steel in a textured bronze finish



Clear Polycarbonate Guard



Wire Guard Stainless Steel

Battery Back-Up

*An external battery back-up box may be required on certain light fixtures. Please contact Lumecon Sales Agent for clarification.

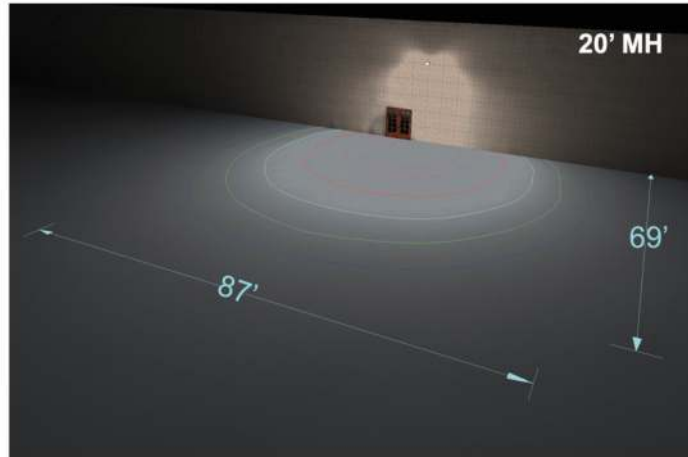
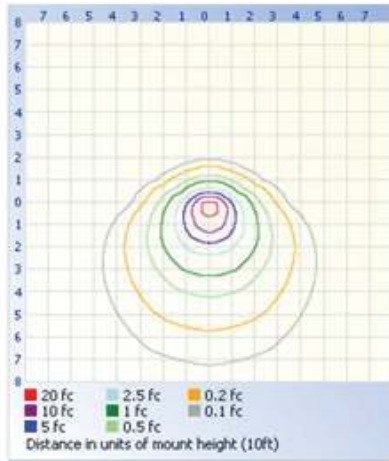
UL Component Recognized / CSA certified

Lumecon's Emergency LED driver has been tested in accordance with the standards set forth in UL 924, "Emergency Lighting and Power Equipment," and with the standards set forth in C22.2 No. 141, "Unit Equipment for Emergency Lighting." Our Emergency LED driver's are UL Component Recognized and CSA Certified for factory installation only. Emergency illumination time exceeds the National Electrical Code (NEC), Life Safety Code (NFPA-LSC), National Building Code of Canada (NBC), National Fire Code of Canada (NFC) and UL 90-minute requirements.



Photometric Data

*For .ies files of this product, please visit the downloads tabs on the LWP-FT-120 product page: <http://lumecon.com/products/lwp-ft-120/>



Performance Data

ELECTRICAL LOAD DATA

Fixture Model	Drive Current (mA)	System Watts (W)	AC Current Load (A)			
			120V	208V	240V	277V
LWP-FT-120	105	122.6	1.14	0.65	0.57	0.49

LUMEN MAINTENANCE

Data in the table below references projected performance in a 25°C ambient and is based on 10,000 hours of LED testing. Performance data has been tested per IESNA LM-80-08 and projected per IESNA TM-21-11.

Use the lumen maintenance factor that corresponds to the desired number of operating hours below to calculate LLF.

Fixture Model	Lumen Maintenance Factors @ 25°C, by hours:				
	0	25,000	50,000	70,000	100,000
LWP-FT-120	1.0	0.94	0.89	0.86	0.81

Lighting Facts

LED
Lumecon


lighting facts[®]

A Program of the U.S. DOE

Light Output (Lumens)	12177
Watts	122.6
Lumens per Watt (Efficacy)	99.3

Color Accuracy
Color Rendering Index (CRI) **81**

Light Color
Correlated Color Temperature (CCT) **4046 (Bright White)**



2700K
3000K
4500K
6500K

All results are according to IESNA LM-79-2008: *Approved Method for the Electrical and Photometric Testing of Solid-State Lighting*. The U.S. Department of Energy (DOE) verifies product test data and results.

Visit www.lightingfacts.com for the *Label Reference Guide*.

Registration Number: PR8P-A6WAVZ (7/6/2015)
Model Number: LWP-FT-120
Type: Luminaire - Area/Roadway