





Catalog Number:	
Project:	
Comments:	
Prepared By:	Date:

Description

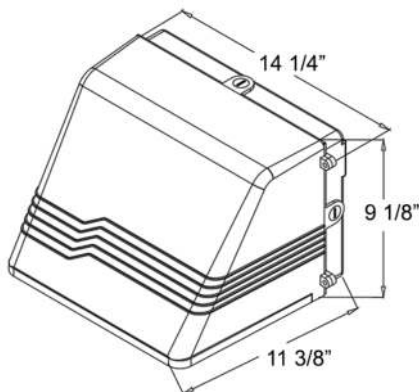
The LWP-FC is a dark skies compliant, full cut-off wall pack. The LWP-FC can replace up to a 250W HID one-for-one making it a perfect fixture for building facades, general security, storage areas, and entry door applications.

Performance Data

Model	Watts	Equiv	Lumens	Efficacy
LWP-FC-25 	23W	175W HID	2,308 Lm	101 LPW
LWP-FC-60 	56W	250W HID	5,534 Lm	98 LPW

Dimensions & Weights

Model	Width	Height	Depth	Weight
LWP-FC	14 1/4"	9 1/8"	11 3/8"	12.05 lbs.



Technical Specifications

Input Voltage: 120-277V or 347-480V

Housing: Die cast aluminum housing with hinged full cutoff front frame and textured architectural bronze powder coat finish over a chromate conversion coating. 1/2" coin plugs with O-rings for conduit & photocell installation.

Lens: Tempered Clear Glass Lens.

Mounting: Cast-in template for mounting directly over a 4" recessed outlet box, or use 1/2" surface conduit.

Effective Projected Area (EPA): 0.72 ft²

Color Temperature: 2700K WW, 4000K NW (standard), 5000K CW. All LED's are rated for a minimum of 100,000 hours of continuous operation at ambient temperatures from -40°F/-40°C to 95°F/35°C.

Color Rendering Index (CRI): Minimum of 70 or higher.

Dimming: 0-10V standard dimming capability.

Surge Protection: A 20kA surge suppressor is included and complies with IEEE/ANSI C62.41.2 guidelines for "C High." Surge location rated Category C3.

Lumecon ETD System: The enhanced thermal dissipation system engines are thermally bonded to provide maximum thermal dissipation to the exterior of the fixture to ensure long life. To protect the light engine panel from moisture and corrosion, the LED light engine panel is uniformly coated with a UV stabilized acrylic polymer resin that meets MIL and ASTM dielectric standards, UL, and IPC standards for flammability, moisture resistance and thermal shock.

Battery Back-Up (Optional): When triggered into emergency mode, the BBU operates the LEDs for a code-compliant 90 minutes. When AC power is restored, the driver automatically returns to charging mode. The BBU is a UL recognized component and meets all applicable safety standards.

Certification Data: ETL Listed to UL 1598, UL 8750 and CSA 22.2 No. 250 for Wet Locations. *Full compliance and test documentation is available for TM-21, LM-79, LM-80, ETL Listing to UL1598 and UL 8750, Lighting Facts and DLC. Not all versions of this product may be DLC qualified. For a complete list of Lumecon DLC Qualified Products visit: www.designlights.org.

Occupancy Sensor (Optional): Microwave sensor technology rated for -40°F to 130°F. Available in on/off and dim/high functionality.

Manufacturing Origin: US Manufactured and Assembled.

Buy American: Meets Buy American requirements within the ARRA.

Warranty: 10 Year L70 performance based warranty. For full warranty terms, please visit our website: www.lumecon.com



Ordering Information

Ordering Example: LWP-FC-25-DB-ST-W-1-C-NW-X-X-X-PC1-X-X

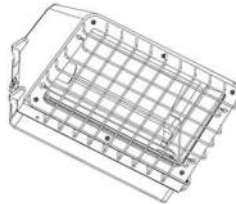
WATTAGE	COLOR	DISTRIBUTION	MOUNTING METHODS	VOLTAGE	LENS	COLOR TEMPERATURE
25 - 25 Watts 60 - 60 Watts	DB - Dark Bronze	ST - Standard WD- Wide (Type III)	W - Wall Y - Yoke Mount	1 - 120v - 277v 2 - 347v - 480v	C - Clear Glass PR - Prismatic Glass P - Polycarbonate	NW - Neutral CW - Cool WW - Warm

GUARD	BATTERY BACK-UP	SPLIT CIRCUIT	PHOTOCELL	OCCUPANCY SENSOR	INLINE FUSE
X - None W - Wire	X - None BB1 -120v BBU BB2 -277v BBU BBC1 -120v BBU Cold Temp Rated* BBC2 -277v BBU Cold Temp Rated* <i>* Requires external box</i>	X - None SC - Split Circuit	X - None PC1 - 120v PC PC2 - 277v PC PC3 - 347v PC PC4 - 480v PC	X - None OC1 - On/Off OC2 - Dim/High	X - None F - Inline Fuse, 2.5A

Options & Accessories



Yoke Mount



Wire Guard



Polycarbonate Guard

Battery Back-Up

*An external battery back-up box may be required on certain light fixtures. Please contact Lumecon Sales Agent for clarification.

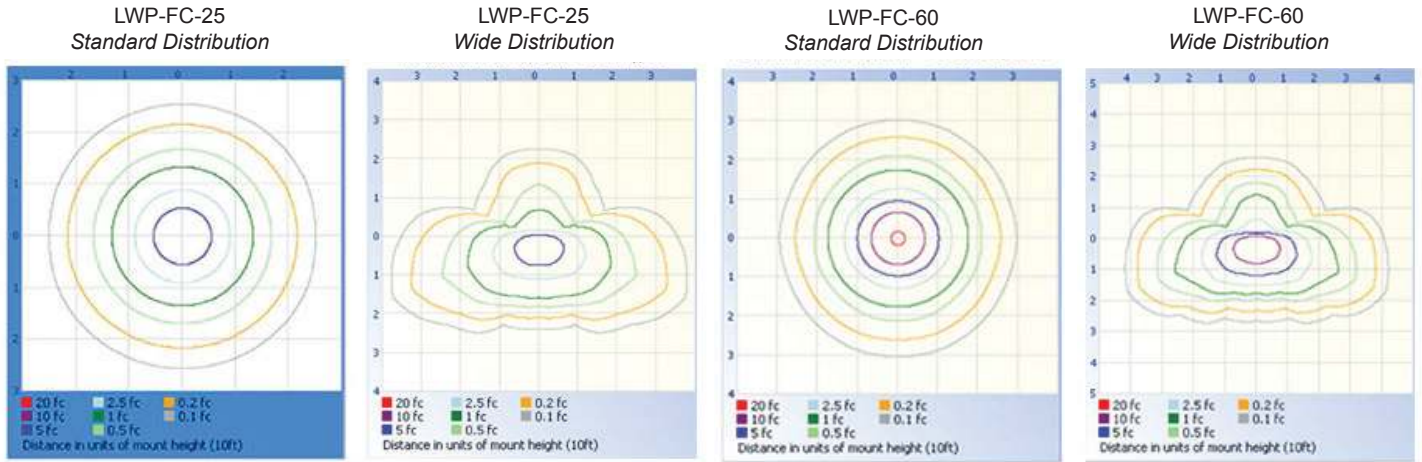
UL Component Recognized / CSA certified

Lumecon's Emergency LED driver has been tested in accordance with the standards set forth in UL 924, "Emergency Lighting and Power Equipment," and with the standards set forth in C22.2 No. 141, "Unit Equipment for Emergency Lighting." Our Emergency LED driver's are UL Component Recognized and CSA Certified for factory installation only. Emergency illumination time exceeds the National Electrical Code (NEC), Life Safety Code (NFPA-LSC), National Building Code of Canada (NBC), National Fire Code of Canada (NFC) and UL 90-minute requirements.



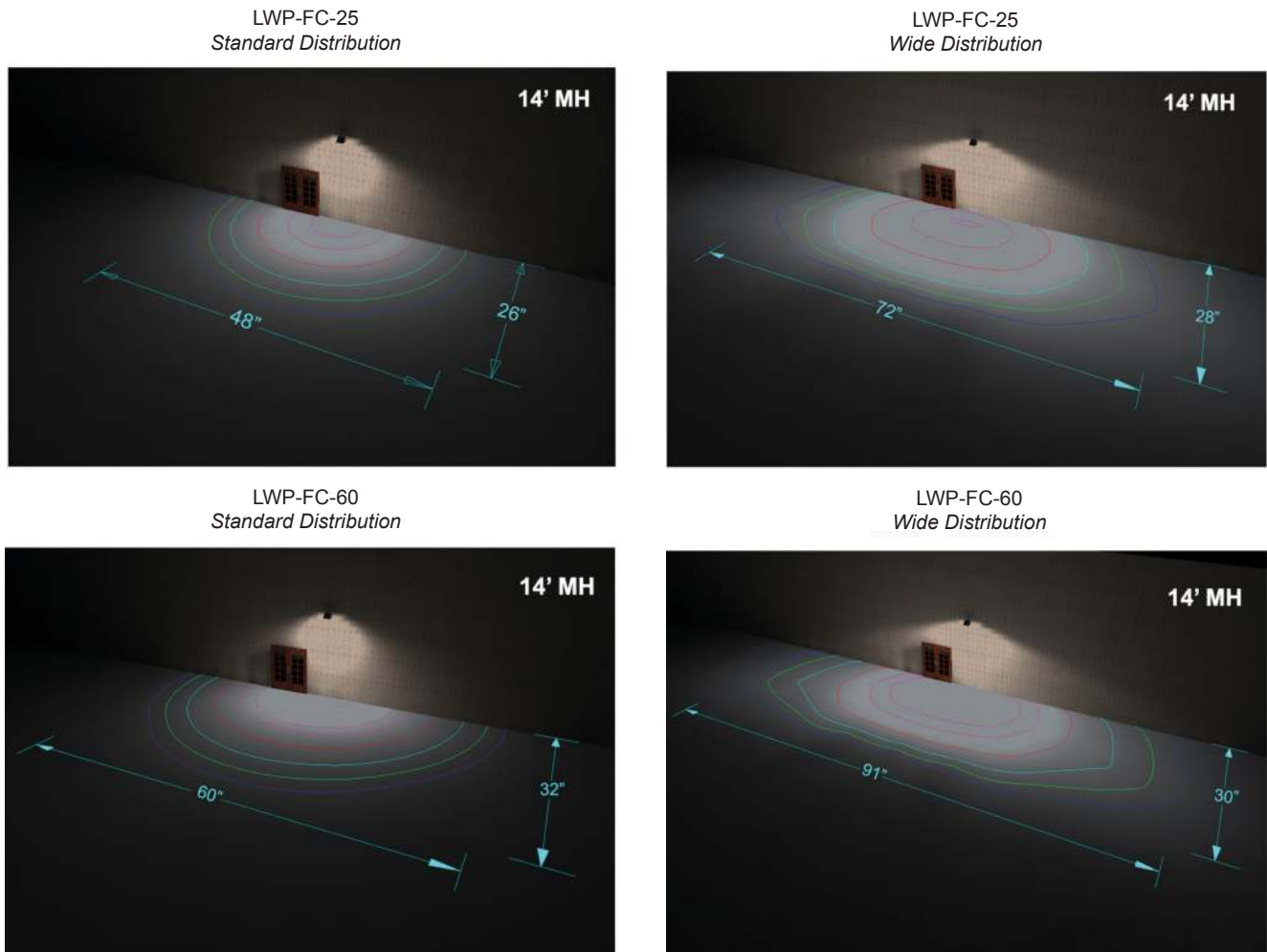
Photometric Data

*For .ies files of this product, please visit the downloads tabs on the LWP-FC product page: <http://lumecon.com/products/lwp-fc-full-cut-off/>



Photometric Illustration

*For .ies files of this product, please visit the downloads tabs on the LWP-FC product page: <http://lumecon.com/products/lwp-fc-full-cut-off/>



Performance Data

ELECTRICAL LOAD DATA

Fixture Model	Drive Current (mA)	System Watts (W)	AC Current Load (A)			
			120V	208V	240V	277V
LWP-FC-25	112	22.9	0.21	0.12	0.11	0.09
LWP-FC-25-WD	850	23.4	0.22	0.13	0.11	0.09
LWP-FC-60	125	56.3	0.52	0.30	0.26	0.23
LWP-FC-60-WD	1050	55.0	0.51	0.29	0.25	0.22

LUMEN MAINTENANCE

Data in the table below references projected performance in a 25°C ambient and is based on 10,000 hours of LED testing. Performance data has been tested per IESNA LM-80-08 and projected per IESNA TM-21-11.

Use the lumen maintenance factor that corresponds to the desired number of operating hours below to calculate LLF.

Lumen Maintenance Factors @ 25°C, by hours:

Fixture Model	0	25,000	50,000	70,000	100,000
LWP-FC-25	1.0	0.96	0.93	0.90	0.86
LWP-FC-25-WD	1.0	0.93	0.89	0.85	0.80
LWP-FC-60	1.0	0.95	0.91	0.88	0.84
LWP-FC-60-WD	1.0	0.93	0.89	0.85	0.80

Lighting Facts

