



Catalog Number:	
Project:	
Comments:	
Prepared By:	Date:

Description

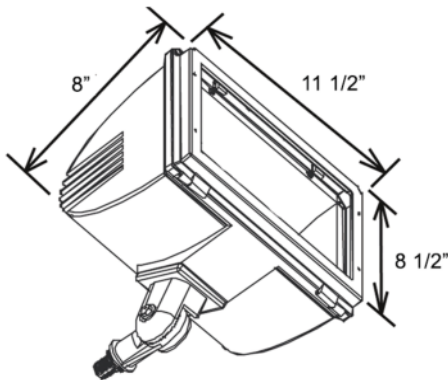
The LF-RB round back flood comes standard with an adjustable knuckle mounting option. With the ability to replace 175W - 250W HID fixtures one-for-one, the LF-RB is most adapted to area light, general security, and sign accent lighting applications.

Performance Data

Model	Watts	Equiv	Lumens	Efficacy
LF-RB-25	24W	175W HID	2,482 Lm	103 LPW
LF-RB-60	56W	250W HID	4,895 Lm	87 LPW

Dimensions & Weights

Model	Width	Height	Depth	Weight
LF-RB	11 1/2"	8 1/2"	8"	10.15 lbs.



Technical Specifications

Input Voltage: 120-277V or 347-480V

Housing: Die cast aluminum housing with hinged top frame and textured architectural bronze powder coat finish over a chromate conversion coating.

Lens: Tempered clear glass lens.

Mounting: Adjustable knuckle with 1/2" NPT threads (standard). Additional mounting methods include: swivel bracket, slip fitter, post top fitter and ground stake. Post top fitter and ground stake options require an adjustable knuckle.

Effective Projected Area (EPA): 0.72 ft²

Color Temperature: 2700K WW, 4000K NW (standard), 5000K CW. All LED's are rated for a minimum of 100,000 hours of continuous operation at ambient temperatures from -40°F/-40°C to 95°F/35°C.

Color Rendering Index (CRI): Minimum of 70 or higher.

Dimming: 0-10V standard dimming capability.

Surge Protection: A 20kA surge suppressor is included and complies with IEEE/ANSI C62.41.2 guidelines for "C High." Surge location rated Category C3.

Lumecon ETD System: The enhanced thermal dissipation system engines are thermally bonded to provide maximum thermal dissipation to the exterior of the fixture to ensure long life. To protect the light engine panel from moisture and corrosion, the LED light engine panel is uniformly coated with a UV stabilized acrylic polymer resin that meets MIL and ASTM dielectric standards, UL, and IPC standards for flammability, moisture resistance and thermal shock.

Battery Back-Up (Optional): When triggered into emergency mode, the BBU operates the LEDs for a code-compliant 90 minutes. When AC power is restored, the driver automatically returns to charging mode. The BBU is a UL recognized component and meets all applicable safety standards.

Certification Data: ETL Listed to UL 1598, UL 8750 and CSA 22.2 No. 250 for Wet Locations. *Full compliance and test documentation is available for TM-21, LM-79, LM-80, ETL Listing to UL1598 and UL 8750, Lighting Facts and DLC. Not all versions of this product may be DLC qualified. For a complete list of Lumecon DLC Qualified Products visit: www.designlights.org.

Manufacturing Origin: US Manufactured and Assembled.

Buy American: Meets Buy American requirements within the ARRA.

Warranty: 10 Year L70 performance based warranty. For full warranty terms, please visit our website: www.lumecon.com



NATIONAL ASSOCIATION OF ELECTRICAL DISTRIBUTORS

Ordering Information

LF – RB Options / Ordering Example: LF-RB-25-DB-ST-1-NW-A-X-X-X-PC1-X

WATTAGE	COLOR	DISTRIBUTION	VOLTAGE	COLOR TEMPERATURE	MOUNTING METHODS
25 - 25 Watts 60 - 60 Watts	DB - Dark Bronze	ST - Standard* NR - Narrow* *ST - Standard 125° *NR - Spot Optics 18°	1 - 120v - 277v 2 - 347v - 480v	NW - Neutral CW - Cool WW - Warm	A - Adjustable Knuckle SB - Swivel Bracket SF - Slip Fitter T - Post Top Fitter* GR - Ground Stake* *Requires adjustable knuckle

GUARD	BATTERY BACK-UP	SPLIT CIRCUIT	PHOTOCELL	INLINE FUSE
X - None W - Wire P - Polycarbonate G - Glare Shield	X - None BB1 -120v BBU BB2 -277v BBU BBC1 -120v BBU Cold Temp Rated* BBC2 -277v BBU Cold Temp Rated* *Requires external box	X - None SC - Split Circuit	X - None PC1 - 120v PC PC2 - 277v PC PC3 - 347v PC PC4 - 480v PC	X - None F - Inline Fuse, 2.5A

Options & Accessories



Adjustable Knuckle
(Standard)



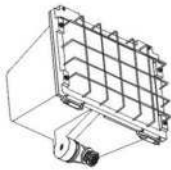
Slip Fitter



Post Top Fitter



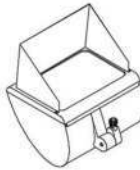
Ground Stake



Wire Shield



Polycarbonate Guard



Glare Shield

Battery Back-Up

*An external battery back-up box may be required on certain light fixtures. Please contact Lumecon Sales Agent for clarification.

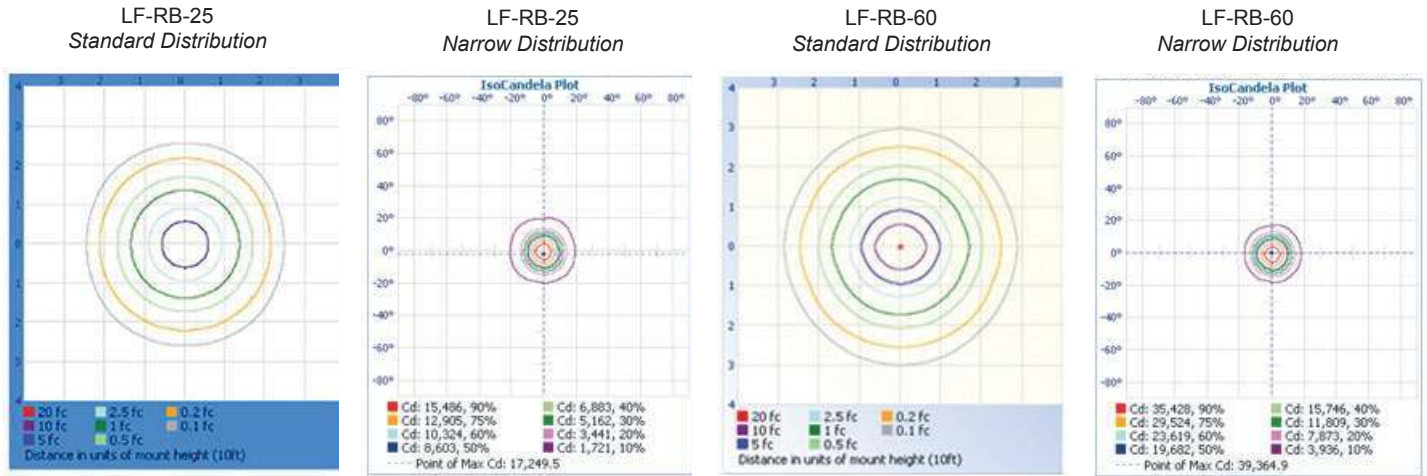
UL Component Recognized / CSA certified

Lumecon's Emergency LED driver has been tested in accordance with the standards set forth in UL 924, "Emergency Lighting and Power Equipment," and with the standards set forth in C22.2 No. 141, "Unit Equipment for Emergency Lighting." Our Emergency LED driver's are UL Component Recognized and CSA Certified for factory installation only. Emergency illumination time exceeds the National Electrical Code (NEC), Life Safety Code (NFPA-LSC), National Building Code of Canada (NBC), National Fire Code of Canada (NFC) and UL 90-minute requirements.



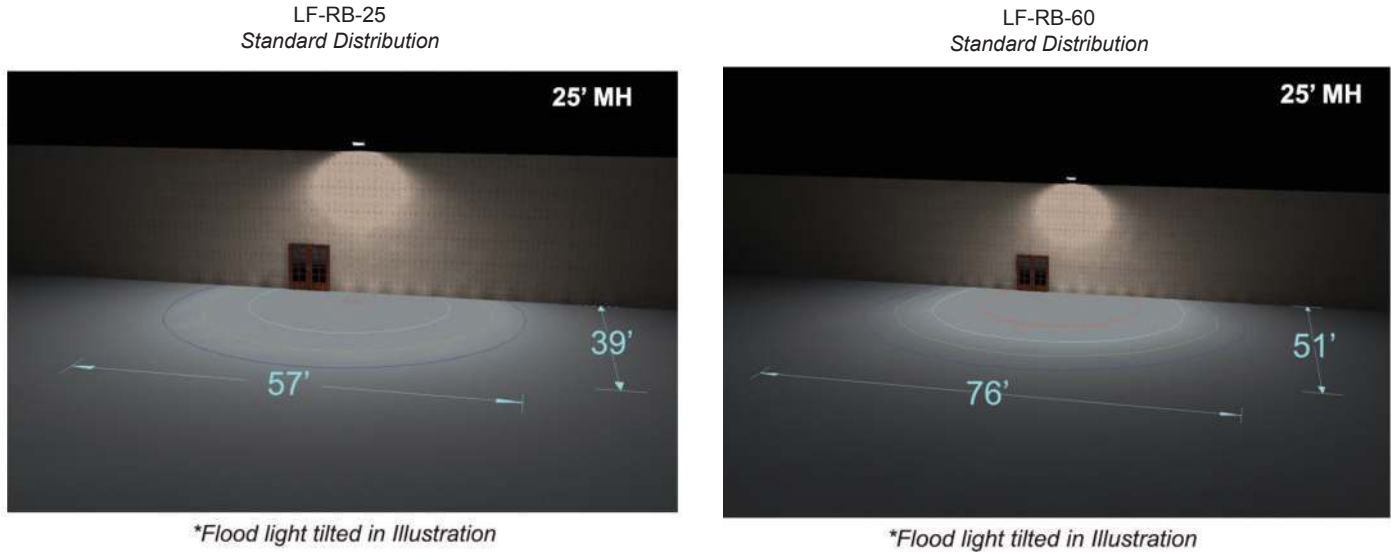
Photometric Data

*For .ies files of this product, please visit the downloads tabs on the LF-RB product page: <http://lumecon.com/products/lf-rb-sign-flood-light/>



Photometric Illustration

*For .ies files of this product, please visit the downloads tabs on the LF-RB product page: <http://lumecon.com/products/lf-rb-sign-flood-light/>



Performance Data

ELECTRICAL LOAD DATA

Fixture Model	Drive Current (mA)	System Watts (W)	AC Current Load (A)			
			120V	208V	240V	277V
LF-RB-25	112	25.1	0.23	0.13	0.12	0.10
LF-RB-25-NR	850	23.1	0.21	0.12	0.11	0.09
LF-RB-60	88	56.0	0.52	0.30	0.26	0.22
LF-RB-60-NR	1050	54.2	0.50	0.29	0.25	0.22

LUMEN MAINTENANCE

Data in the table below references projected performance in a 25°C ambient and is based on 10,000 hours of LED testing. Performance data has been tested per IESNA LM-80-08 and projected per IESNA TM-21-11.

Use the lumen maintenance factor that corresponds to the desired number of operating hours below to calculate LLF.

Lumen Maintenance Factors @ 25°C, by hours:

Fixture Model	0	25,000	50,000	70,000	100,000
LF-RB-25	1.0	0.96	0.93	0.90	0.86
LF-RB-25-NR	1.0	0.93	0.89	0.85	0.80
LF-RB-60	1.0	0.94	0.89	0.86	0.81
LF-RB-60-NR	1.0	0.93	0.89	0.85	0.80

Lighting Facts

