



Catalog Number:	
Project:	
Comments:	
Prepared By:	Date:

## Description

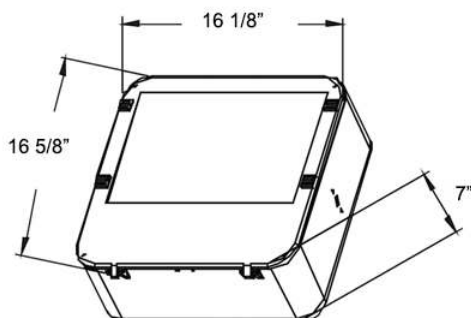
The LF-LG large flood is available in two output versions and comes with a variety of mounting options. With the ability to replace 250W-400W HID fixtures one-for-one, the LF-LG is most suited for wall wash, general security, flag lighting, and area flood applications.

## Performance Data

Model	Watts	Equiv	Lumens	Efficacy
LF-LG-60	62W	250W HID	7,164 Lm	115 LPW
LF-LG-120	124W	400W HID	13,574 Lm	110 LPW

## Dimensions & Weights

Model	Width	Height	Depth	Weight
LF-LG	9"	7 1/4"	9"	5.05 lbs.



## Technical Specifications

**Input Voltage:** 120-277V or 347-480V

**Housing:** Die cast aluminum housing with hinged lens frame and textured architectural bronze powder coat finish over a chromate conversion coating.

**Lens:** Tempered clear glass lens.

**Mounting:** Two-piece swivel bracket (standard). Additional mounting methods include: slip fitter, adjustable arm, yoke mount, wall mount, 6" extruded arm and 10" extruded arm options.

**Effective Projected Area (EPA):** 1.87 ft<sup>2</sup>

**Color Temperature:** 2700K WW, 4000K NW (standard), 5000K CW. All LED's are rated for a minimum of 100,000 hours of continuous operation at ambient temperatures from -40°F/-40°C to 95°F/35°C.

**Color Rendering Index (CRI):** Minimum of 70 or higher.

**Dimming:** 0-10V standard dimming capability.

**Surge Protection:** A 20kA surge suppressor is included and complies with IEEE/ANSI C62.41.2 guidelines for "C High." Surge location rated Category C3.

**Lumecon ETD System:** The enhanced thermal dissipation system engines are thermally bonded to provide maximum thermal dissipation to the exterior of the fixture to ensure long life. To protect the light engine panel from moisture and corrosion, the LED light engine panel is uniformly coated with a UV stabilized acrylic polymer resin that meets MIL and ASTM dielectric standards, UL, and IPC standards for flammability, moisture resistance and thermal shock.

**Battery Back-Up (Optional):** When triggered into emergency mode, the BBU operates the LEDs for a code-compliant 90 minutes. When AC power is restored, the driver automatically returns to charging mode. The BBU is a UL recognized component and meets all applicable safety standards.

**Certification Data:** ETL Listed to UL 1598, UL 8750 and CSA 22.2 No. 250 for Wet Locations. \*Full compliance and test documentation is available for TM-21, LM-79, LM-80, ETL Listing to UL1598 and UL 8750, Lighting Facts and DLC. Not all versions of this product may be DLC qualified. For a complete list of Lumecon DLC Qualified Products visit: [www.designlights.org](http://www.designlights.org).

**Manufacturing Origin:** US Manufactured and Assembled.

**Buy American:** Meets Buy American requirements within the ARRA.

**Warranty:** 10 Year L70 performance based warranty. For full warranty terms, please visit our website: [www.lumecon.com](http://www.lumecon.com)



## Ordering Information

LF – LG Options / Ordering Example: LF-LG-60-DB-ST-1-NW-SB-X-X-X-PC1-X-X

WATTAGE	COLOR	DISTRIBUTION	VOLTAGE	COLOR TEMPERATURE	MOUNTING METHODS
60 - 60 Watts 120 - 120 Watts	DB - Dark Bronze	ST - Standard* NR - Narrow*	1 - 120v - 277v 2 - 347v - 480v	NW - Neutral CW - Cool WW - Warm	SB - Swivel Bracket SF - Slip Fitter AD - Adjustable Arm* Y - Yoke Mount WM - Wall Mount (6" Arm included) ES6 - 6" Extruded Arm, Square Pole ER6 - 6" Extruded Arm, Round Pole* ES0 - 10" Extruded Arm, Square Pole ER0 - 10" Extruded Arm, Round Pole* <i>*Designed for 4" OD Round Pole</i>

GUARD	BATTERY BACK-UP	SPLIT CIRCUIT	PHOTOCELL	OCCUPANCY SENSOR	INLINE FUSE
X - None 1 - Lens Baffle 2 - Glare Shield 3 - Wire	X - None BB1 -120v BBU BB2 -277v BBU BBC1 -120v BBU Cold Temp Rated BBC2 -277v BBU Cold Temp Rated	X - None SC - Split Circuit	X - None PC1 - 120v PC PC2 - 277v PC PC3 - 347v PC PC4 - 480v PC	X - None OC1 - On/Off OC2 - Dim/High	X - None F - Inline Fuse, 2.5A

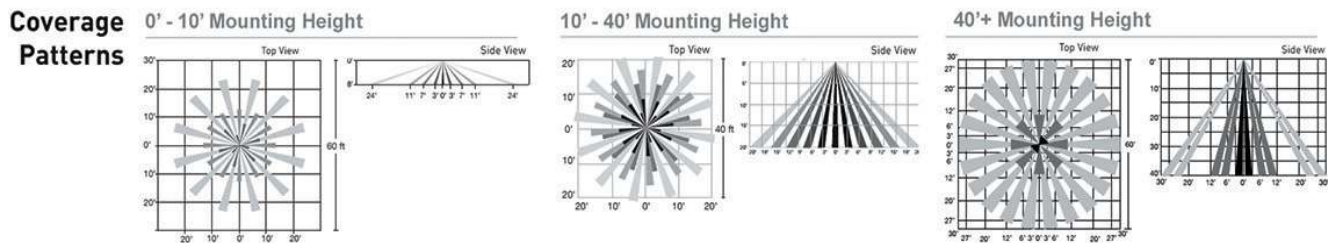
If OCC Sensor Option is selected, mounting height specifications need to be clarified:

Mounting height between 0' - 10'

Mounting height between 10' - 40'

Mounting height over 40'+

## OCC Sensor Patterns

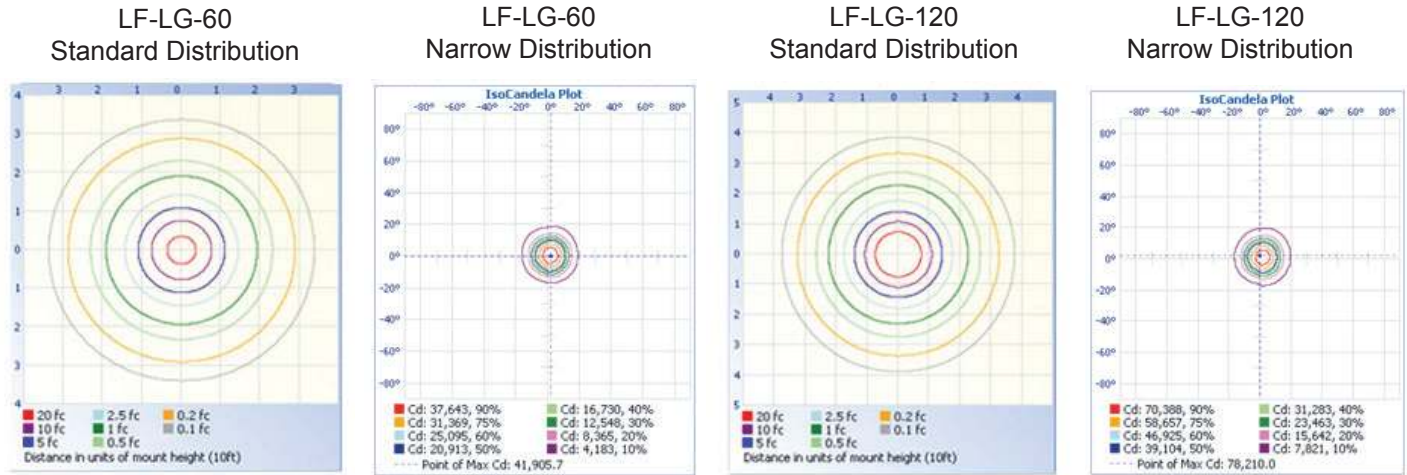


## Options & Accessories



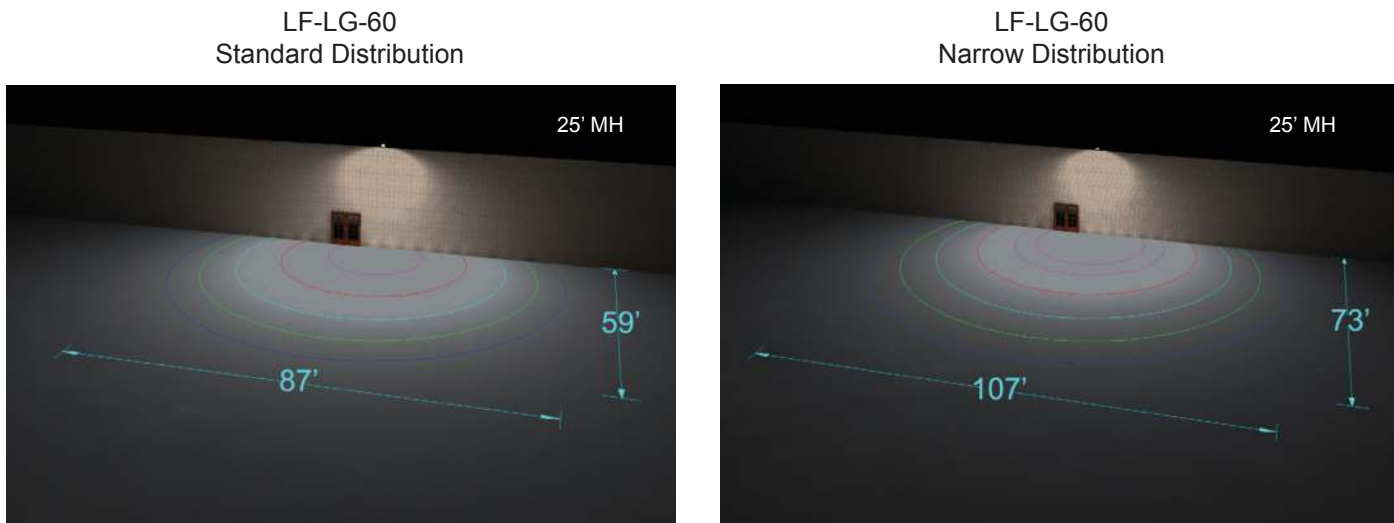
## Photometric Data

\*For .ies files of this product, please visit the downloads tabs on the LF-LG product page: <http://lumecon.com/products/lf-lg-large-area-flood-light/>



## Photometric Illustration

\*For .ies files of this product, please visit the downloads tabs on the LF-LG product page: <http://lumecon.com/products/lf-lg-large-area-flood-light/>



## Performance Data

### ELECTRICAL LOAD DATA

Fixture Model	Drive Current (mA)	System Watts (W)	AC Current Load (A)			
			120V	208V	240V	277V
LF-LG-60	105	62.0	0.57	0.33	0.29	0.25
LF-LG-60-NR	1050	54.6	0.51	0.29	0.25	0.22
LF-LG-120	105	123.5	1.14	0.66	0.57	0.50
LF-LG-120-NR	1050	110.0	1.02	0.59	0.51	0.44

### LUMEN MAINTENANCE

Data in the table below references projected performance in a 25°C ambient and is based on 10,000 hours of LED testing. Performance data has been tested per IESNA LM-80-08 and projected per IESNA TM-21-11.

Use the lumen maintenance factor that corresponds to the desired number of operating hours below to calculate LLF.

#### Lumen Maintenance Factors @ 25°C, by hours:

Fixture Model	0	25,000	50,000	70,000	100,000
LF-LG-60	1.0	0.95	0.91	0.88	0.84
LF-LG-60-NR	1.0	0.93	0.89	0.85	0.80
LF-LG-120	1.0	0.94	0.89	0.86	0.81
LF-LG-120-NR	1.0	0.95	0.91	0.88	0.84

## Lighting Facts

