

## Designovations Snap N' Safe Breakaway Sign Post Couplers

### Ordering Guide

Item Number	Description
S200	2" x 2" Square Sign Post with In-Ground Anchor
S200S	2" x 2" Square Sign Post for Surface Mount
S238R	2-3/8" Round Sign Post with In-Ground Anchor
S300R	3" Round Sign Post with In-Ground Anchor
S238SR	2-3/8" Round Sign Post for Surface Mount
SU800	U-Channel Sign Post with In-Ground Anchor
SU800S	U-Channel Sign Post for Surface Mount

### Specifications

#### Description:

The MUTCD Section 2A-19, which is the national standard used for all roads open to public travel states, "Ground mounted sign supports shall be breakaway, yielding, or shielded with a longitudinal barrier or crash cushion if within the clear zone."

The United States Department of Transportation Federal Highway Administration has released a new publication Safer Sign Supports: Are Yours Breakaway Yet? to help define terms and new requirements in section 2A-19 of the MUTCD. The publication includes the following information:

Breakaway Sign Posts are Required. Rigid objects close to a roadway can become deadly hazards when struck by a vehicle that strays off the pavement. Supports for road signs, frequently placed close to the roadway, are hazards if they are not designed, manufactured, and constructed to break away upon impact.

#### What does breakaway mean?

Breakaway sign supports include components "than when struck by a vehicle, (sign supports) separate from the base and are knocked ahead of or up and over the errant vehicle."

#### How will this be implemented?

FHWA realized that no agency can inventory, inspect, design, and replace non-breakaway sign supports overnight. The easiest way to accomplish this is to begin using breakaway supports when installing new signs or replacing damaged supports. All non-breakaway sign supports within the clear zone of areas posted at 50 mph or greater shall be replaced by January 2013."

#### For More Information:

[http://safety.fhwa.dot.gov/roadway\\_dept/policy\\_guide/road\\_hardware/](http://safety.fhwa.dot.gov/roadway_dept/policy_guide/road_hardware/)

#### Material:

80% Recycled Cast Gray Iron, **Approved Post: Schedule 40, 3" OD Steel Tube, 8 Gauge**

#### Benefits:

- NCHRP Compliant
- 360 Degree Shear Point
- No Anchores to Repair
- Less Labor, Save 42% or More on Repairs
- Reduces Risk of Occupant Injury from Post Piercing Windshield and Roof of Vehicle
- Withstands Winds of 120 MPH
- Hardware Included
- Reduces Crew Exposure to Traffic, Reduces Liability
- No Anchores to Repair or Concrete Boring

#### In-Ground Anchor Installation:

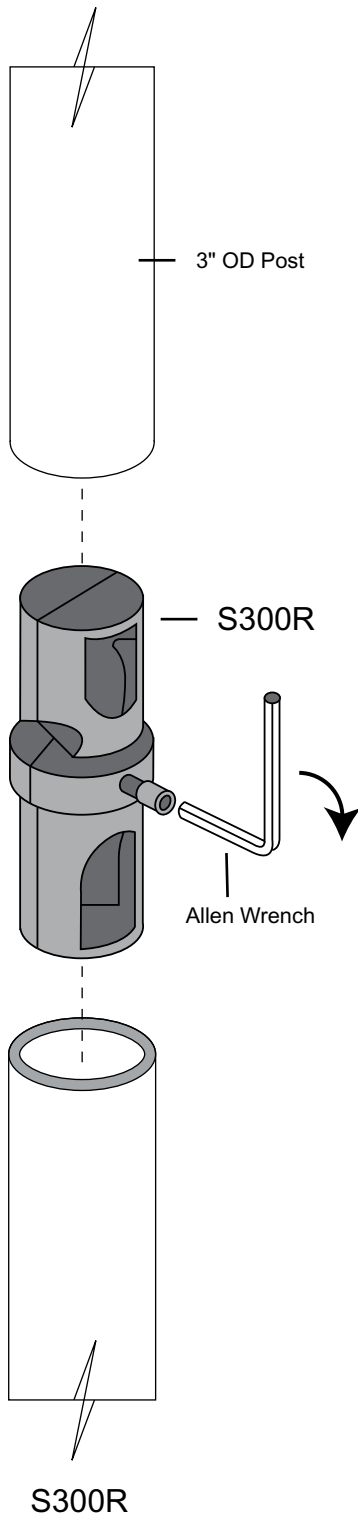
Insert Snap N' Safe in anchor and bottom of sign post and tighten Set Screw

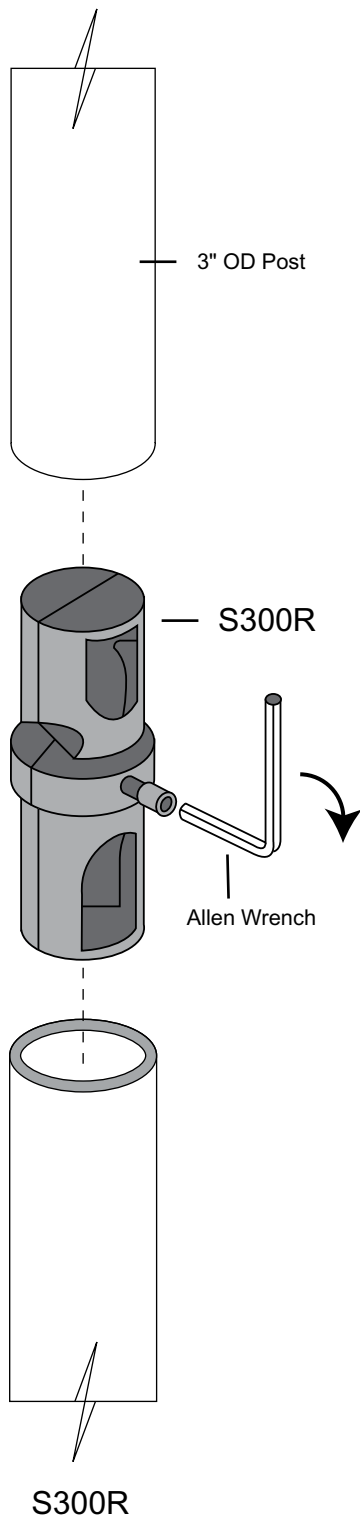
#### Surface Mount Installation:

Drill holes in concrete using base as a guide. secure base to concrete using hardware provided. Insert sign post and tighten set screw.

#### DISCLAIMER:

All SNAP'n SAFE breakaway sign post couplers have been crash tested, accepted by FHWA, and are NCHRP Report 350 compliant. All were crash tested using standard steel highway sign posts. We cannot guarantee that the SNAP'n SAFE breakaway couplers will perform as tested using posts made from materials other than steel and will not be liable for any damages that may occur with posts that are not made from steel





## S300R Installation Instructions:

---

1. Determine the location for the in-ground post sleeve.
2. Secure in-ground post sleeve so only 3" to 4" remain above ground level.
3. Position the Arrow on the Snap N' Safe Round Post Coupler upward, then insert into the in-ground post sleeve.
4. Slide the above ground sign post to the proper orientation onto the Snap N' Safe Coupler.
5. Using a 1/2" hexagon wrench, tighten the set screw in the Snap N' Safe round post coupler until secure.



U.S. Department  
of Transportation  
**Federal Highway  
Administration**

July , 2009

1200 New Jersey Avenue, SE.  
Washington, DC 20590

In Reply Refer To: HSSD/SS-146

This addendum updates the FHWA Acceptance letter SS-146 to include a new modified coupler for round signpost. This coupler is identical to the previous coupler described in SS-146 with the only difference being the new modified coupler is designed for use with three inch diameter round signposts and the previous version is for 2 3/8 inch round signpost. A detail drawing of the new modified coupler is included. The modification in design to this new in ground SNAP'n SAFE breakaway signpost coupler will not adversely affect the crashworthy performance of this device and it is acceptable for use on the National Highway System (NHS).

**AMERICAN  
ECONOMY**